



# NAGL | Laboratory Grown Diamond Report

North American Gemological Laboratory  
13400 NE 20th St. Suite 19, Bellevue, WA 98005  
(t) 425-637-0075 / (f) 425-283 0449

Report No. 1039949

## Laboratory Grown Diamond Grading Information

Date..... Tuesday, June 29, 2010  
Identification..... Laboratory Grown Diamond  
Shape and Cut..... Princess  
Measurements..... 6.79mm X 6.77mm X 4.73mm

### Grading Results

**Carat Weight..... 1.90 Carat**  
**Clarity Grade..... VS1**  
**Color Grade..... Fancy Vivid Yellow**  
**Cut Grade..... Very Good**

### Proportions

Total Depth..... 69.8%      Table..... 63.9%  
Crown Height..... 18.3%      Crown Angle..... 50.6°  
Pavilion Depth..... 49.0%      Pavilion Angle..... 35.0°  
Culet..... Pointed  
Girdle..... Medium- Slightly Thick, Polished

### Finish

Polish..... Good  
Symmetry..... Very Good

### Additional Grading Information

Fluorescence..... Strong Yellow

#### Comments:

One (1) "Takara" laboratory grown diamond is described in detail above.  
"Takara Laboratory Grown " has been laser inscribed on the girdle of the diamond.

## Photograph

Actual image of this Diamond. Image has been enlarged to show detail.



## Diamond Light Performance

The image has been created from the actual scan of this diamond viewed under an "Ideal Scope" filter. The colored areas of the image give a visual representation of light performance of the diamond. The colors represent the following:

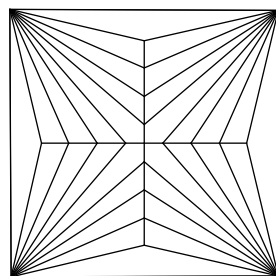
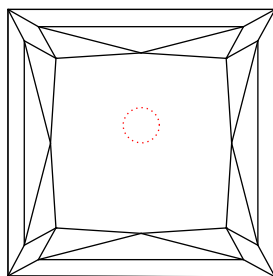
Red = Light returned to observer  
White = Light leakage  
Black = Light obscured by the observer.



Light Performance Grade: Excellent



## Diamond Identification Diagram



KEY  
Cloud

## Diamond Proportion Diagram

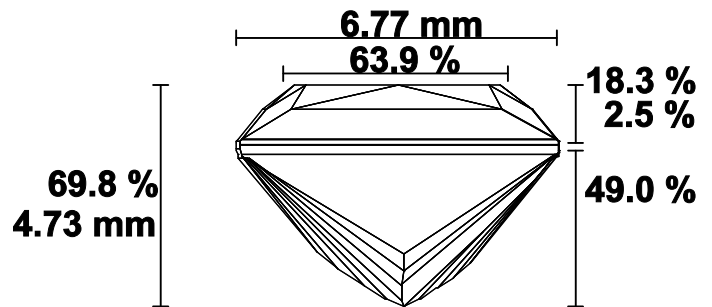


Diagram to actual proportions

Internal Characteristics shown in red. External characteristics and naturals shown in green. Extra facets shown in black. Symbols indicate nature and location of identified characteristics, not their actual size. Hairline feathers in girdle, minor bearding, and minor details of polish and finish not shown.

Kenneth A. Patterson, G.G., GIA  
Gemologist / Appraiser

## LIMITING CONDITIONS

The process of appraising jewelry results in an estimate of judgment of value; therefore, an evaluation is subjective. Estimates of value may vary from one appraiser to another and such a variance does not necessarily constitute error on the part of the appraiser, but is rather an indication of difference or deficiencies in the chosen approach to market analysis.

This appraisal is not intended to be used as the basis for purchase or sale of the items set forth herein and is provided solely as an estimate of approximate values. The values represented herein are based upon the appraiser's best judgment and opinion and are not a representation or warranty, implied or expressed, that the item will realize that value if offered for sale.

Photographs in this report are not to be used as an accurate guide to color representation or size. They represent design only.

The information within this appraisal is confidential between the client, appraiser, and potential third parties such as legal or financial advisors. Third parties may rely on the information in this report for the defined purpose and intended use only. Third parties requiring further information than what is stated in the report must obtain written permission of the owner of the appraisal before the appraiser will discuss the report.

Possession of this report or any copy thereof, does not include the right of publication. This report in its entirety, or any part, including the identity of the appraiser, or his firm, shall not be made public through advertising, public relations, news releases, sales, or other distribution of information media without the written consent of the appraiser. This report is made at the request of the party whose name appears on the appraisal document for his/her use. It is not an indication or report of title or ownership.

No changes may be made to the report by anyone other than the appraiser. The appraiser is not responsible for unauthorized alterations.

Fees paid for this appraisal does not include the services of the appraiser for any other matter whatsoever. In particular, fees paid to date do not include any of the appraiser's time or services in connection with any statement; testimony or other matters before an insurance company or any court in connection to the property herein described. Fees paid for the additional services will be at the current rate with an estimated fee paid in advance.

## LABORATORY INSTRUMENTS

Binocular Microscope	Refractometer
Electronic Scale, (CT weight & Grams)	Ultraviolet Light Unit- long wave/short wave
Leverage Gauge	Chelsea Color Filter
Fiber Optic Light	Diamond Light
Nikon digital Camera	Gem <sup>e</sup> Wizard gemstone comparison software
Photo Light Box	CZ color comparison set (E,F,G,H,I,J,K,L,M,N)
Electronic Metals Tester & Gel	GIA Master Diamond Color Master Set (E, G, J, L, M)
2 Channel OGI Tech Proportion Analyzer	Thermal Conductivity Diamond Tester
Polariscope	Gran Colorimeter
Dichroscope	Table Gauge
Loupe 10X	Specific Gravity Testing Liquids
Binocular Microscope with High Resolution Video Camera	
Diamond Cold Laser Inscription Machine (Photoscribe LMS 550)	

We will identify equipment used in the body of the report when necessary.

## CERTIFICATION

The statements of fact contained in this report upon which the opinions expressed herein are based, are true and correct to the best of his/her knowledge and belief. That no direct or indirect interest exists; that the appraisal fee is not contingent upon values stated herein, that this report is not an offer to buy or sell item at any price. Valuations stated are based upon items of comparable or identical quality or condition, available in the wholesale or retail marketplace, depending upon the purpose and function of the valuation. This report has been made in conformity with the requirements of the Code of Professional Ethics and Standards of Professional Conduct of The International Society of Appraisers and the National Association of Jewelry Appraisers.